

# LC Uniboot V4 Connector With Hard Push Pull

For Duplex Round Cable

## TECHNICAL SPECIFICATION

Approved by	Checked by	Prepared by
Motofuji	Liu xiao hui	Tom

### **SUNCALL TECHNOLOGIES (SZ) CO.,LTD.**

NO.23, Nan Xin Rd, Nanling Village Community, Nan Wan Street,  
Long Gang District, Shenzhen City, China  
Tel: (86-755)2870-6720 Fax: (86-755)2870-0795

---

## Index

The provisions of this specification LC uniboot V4 connector With Hard Push Pull for buffered fiber technical requirements measuring and test method label packing transportation and storage requirements

Copyright © belongs to Suncall Technologies (SZ) CO.,Ltd.

All right reserved

The information contained herein shall not be reproduced or disclosed to any third party without the express written consent of Suncall Technologies (SZ) CO.,Ltd.

The specifications contained herein are subject to change without notice

Please address any questions, comments and suggestions to:

**SUNCALL AMERICA, INC.**

161 Johns Road, Suite A  
Greer, SC 29650  
Tel: (001)864-908-3781  
Fax:(001)864-329-1131

**SUNCALL CORPORATION(JAPAN)**

14, Nishiura-cho, Umezu,Ukyo-ku, Kyoto,  
615-8555 Japan  
Tel: +81(75)-881-8121  
Fax:+81(75)-881-4445

**SUNCALL CO.,(H.K)LTD.**

Units 811-812, Millennium City 2,  
No. 378 Kwun Tong Road,  
Kwun Tong, Kowloon, Hong Kong  
Tel: (852)2317-0247  
Fax:(852)2956-0660

**SUNCALL TECHNOLOGIES (SZ) CO.,LTD.**

NO.23, Nan Xin Rd, Nanling Village Community,  
Nan Wan Street,Long Gang District  
Shenzhen City, China  
Tel: (86-755)2870-6720  
Fax: (86-755)2870-0795

## CONTENTS

Section	Page
1 Part Number.....	4
2 General Specifications.....	5
2-1 Physical Dimensions.....	5
2-2 Appearance.....	5
2-3 Part and Materials.....	5
3 Feature.....	6
3-1 Mechanical Characteristics.....	6
3-2 Environmental Characteristics .....	6
3-3 Standard Reference.....	7
4 Packing.....	7
5 Identification.....	7
6 Handling and care.....	8
6-1 Conditions of Storage.....	8
6-2 Precautions of Use .....	8
6-3 Disposal.....	8
7 Drawing.....	9

**1.Part Number**

The SUNCALL Connector is categorized to the following classification scheme

L	C	X	H	P	X	X	X	X	X	X	X	X	X	X	W	H	X	X	X	X	X
1	2	3	4	5	6	7	8	9	10	11	12										

Table 1: Structure of the product name

No.	Item	Applicable type
1	Sort	LC: LC Connector
2	Mode & Core	S : SM
		M: MM
3	Boot Type	HP: UBV4 Hard Push Pull
4	Product Status	K : Kit
		P : Pre Assy
5	Cable Specifications	20: Φ2.0mm cable
		30: Φ3.0mm cable
6	Body Color	BL: Blue
		AQ: Aqua
		BK: Black
		BG: Beige
		HV: Heather Violet
7	Ferrule type and ID	F55: Flat 125.5um
		F60: Flat 126.0um
8	Concentricity	10: Concentricity 1.0um
		40: Concentricity 4.0um
9	Boot Color	WH: White (Uniboot Standard)
10	Dust Cap Option	S : Square Dust Cap
		T: T Dust Cap
		E : ESD Square Dust Cap
11	Shrink Tube Option	W: White (Uniboot Standard)
		TW: White Thin Tube ( Special Option)
12	Serial Number	XX

1-1 EXAMPLE: LC SHPP20BLF5510WHSW00

(LC Uniboot V4 Singlemode Φ2.0mm Hard Push Pull Connector Assy Blue  
125.5um Ferrule With White Boot And White Shrink Tube)

## 2. General specifications

### 2-1 Physical Dimensions

The product shall meet the specification in drawings

In accordance with IEC 61754-20 Type LC connector family

In accordance with TIA-EIA-604-10A-2002 Standard-Type LC connector

In accordance with JIS C 5964-20:2009 Type LC Connector Family

### 2-2 Appearance

There should be no burr peeling of plating or scratches that affect the product

There should be no dirt scratches surface flashing sink mark

### 2-3 Part and Materials

Table 2 shows the parts and materials of LC Uniboot V4 with Hard Push Pull  
 Ø2.0mm Connector flame retardant grade

Each part no.refers to drawing

Table 2 Parts materials and flame retardant grade

No.	Part Name	Material	Flaming rate
①	UBV4 Square Dust Cap	PC/ABS	UL94 V0
②	UBV4 Housing	PEI	UL94 V0
③	UBV4 Extender Cap	PEI	UL94 V0
④	LC Ferrule Sub-Assy	Zr+Cu	-
⑤	Tube	FEP/PTFE	UL94 V0
⑥	Spring	SUS	-
⑦	UBV4 Clip	PBT	UL94 V0
⑧	Push Pull Clip	PEI	UL94 V0
⑨	Hard Push Pull Tab	PC	UL94 V0
⑩	Crimp Sleeve Sub-Assy	AL+PO	-
⑪	UBV4 Uniboot	TPE	UL94 V0

### 3. Feature

#### 3-1 Mechanical Characteristics

Mechanical Characteristics are shown in Table 3

Table 3 Mechanical Characteristics

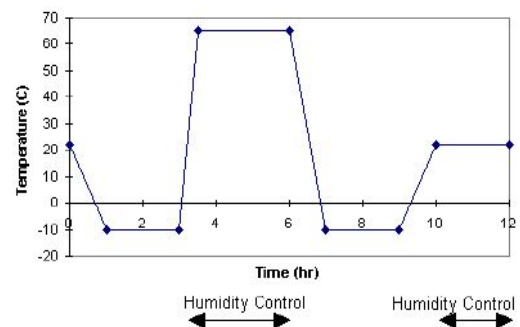
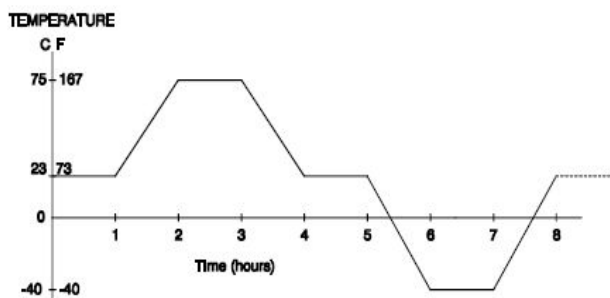
Test item	Conditions		Appearance & function
Vibration	Telcordia GR-326-CORE 4.4.3.1	Frequency:10 to 55 HZ	There should be no deformation,crack, loose and other damages with connector
		Amplitude:1.5mm p-p	
		Direction: x,y,z axis	
		duration:2 hours/direction	
Impact Test	Telcordia GR-326-CORE 4.4.3.7	Height 1.5M own weight strike the concrete block repeat 8 times	Products without cracks, deformation and breakage
Mating durability	JIS C 5965-1	500 times	It can be joined without any mechanical abnormality

#### 3-2 Environmental Characteristics

Environmental Characteristics are shown in Table 4

Table 4 Environmental Characteristics

Test item	Conditions		Appearance & function
Dry heat	Telcordia Gr-326-CORE	+85°C 168 H	There should be no deformation,crack, loose and other damages with connector
Cold		-40°C 168 H	
Temperature cycling test		-40°C ~ +75°C	
Humidity/Condensation Cycling Test		-10°C~ + 65°C 90% - 100% RH 14 Cycles	



Thermal Cycling Test Graph

### Reliability Test

Pass environmental test results and mechanical test of LC optical fiber connectors respectively based on the Telcordia GR-326-CORE  
All samples met or exceed all the Performance Criteria

### 3-3 Standard Reference

Table 5 shows the standard type LC connector

Table 5 standard reference Code

No.	Standard	Number No	Standard Content
1	IEC	61754-20	Type LC Connector Family
2	IEC	61755-3-2	Optical Interface, 2.5 mm and 1.25 mm diameter cylindrical full zirconia ferrules for 8 degrees angled-PC single mode fibres
3	TIA/EIA	604-10A-2002	fiber Optic Connector Intermateability Standard-Type LC
4	Telcordia	GR-326-CORE Issue 4	Generic Requirements for Singlemode Optical Connectors and Jumper Assemblies

### 4 Packing

The product is packed to prevent the damage during the transportation

### 5 Identification

Identification label should indicate the part number and lot number of the product and should be permanently attached to the packing bag

## **6 Handling and care**

### 6-1 Conditions of Storage

- Goods should not be long placed in the open air or have severely corrosive environment should be put in storage working temperature scope
- Keep the product in the packing bag at the following conditions for its storage
  - Storage temperature:-40°C to +85°C
  - Storage humidity:0°C to +85°C% RH non-condensing

### 6-2 Precautions of Use

When products need long-distance transportation need wooden cases or cardboard boxes for packaging on the box indicating cannot energetically to throw collision pressure and shall not have the rain in order to avoid damage to the product

### 6-3 Disposal

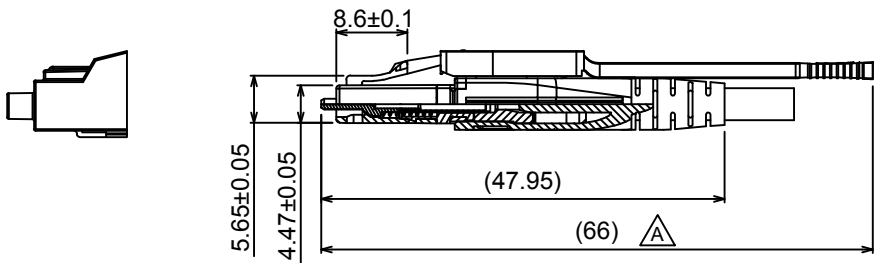
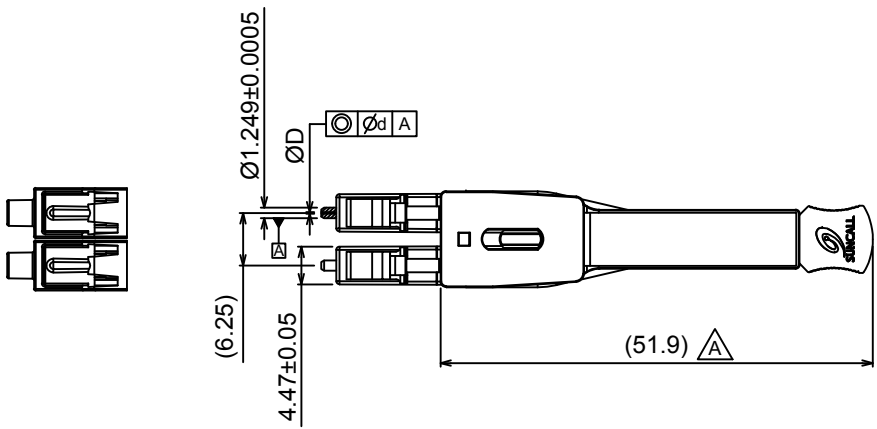
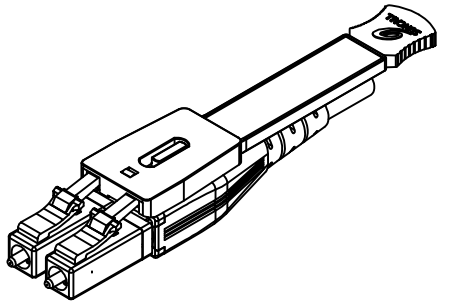
When discarding this product please follow the regulations of your own country

## **7 Drawing**



**FOCD Drawing**  
SUNCALL

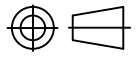
	D	d
SM	$0.1255^{+0.001}_0$	0.001
MM	$0.126^{+0.003}_0$	0.004



- Note:
- ①.Mode & core
  - ②.Cable specifications
  - ③.Body color
  - ④.Ferrule type and ID
  - ⑤.Concentricity
  - ⑥.Boot color
  - ⑦.Dust cap option
  - ⑧.Shrink Tube option
  - ⑨.Serial number

Part Name	LC UB4 PUSH-PULL Connector Pre-Ass'y	Ver.	V1.1
Drawing Code	STCD-0792	Scale	Free
Part No.	LC X HPP XX XX XXX XX XX X XX XX ① ② ③ ④ ⑤ ⑥ ⑦ ⑧ ⑨	Unit	mm
Issued Date	Approved by	Reviewed by	Prepared by
2017.10.24	Rain.Chen	Liuxiaohui	Zenghuimei

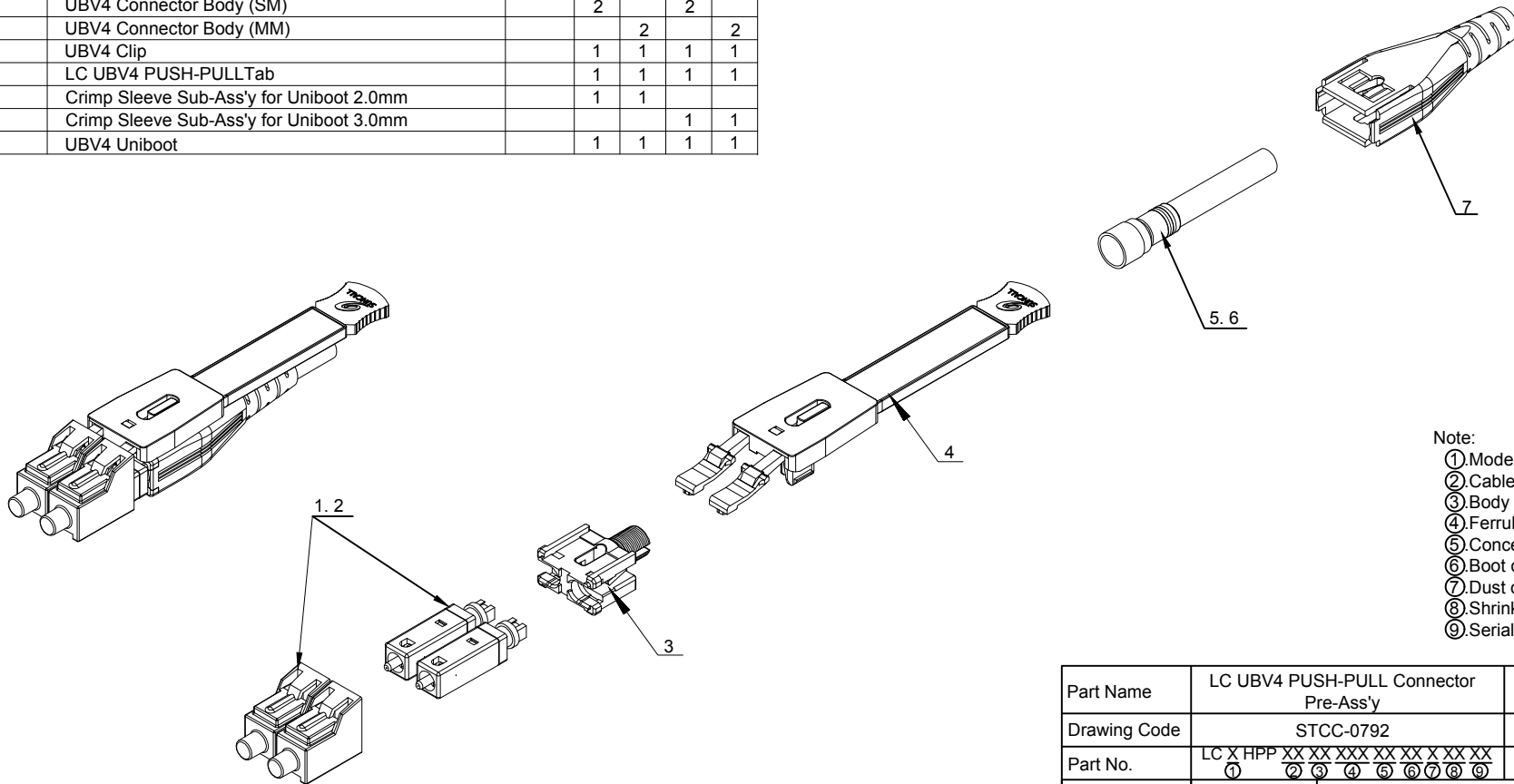
A	△	2017.10.24	STS Change	Add Size;Ver:V1.0 V1.1;	Zenghuimei
	△	2017.07.03	New Drawing		Zenghuimei
	No.	Revised Date	Reason	Revised Content	PIC



SUNCALL TECHNOLOGIES(SZ)CO., LTD.

LC SHPP20BLF5510WHSW00  
LCM HPP20BGF6040WHSW00  
LC SHPP30BLF5510WHSW00  
LCM HPP30BGF6040WHSW00

ITEM	IDENT No.	DESCRIPTION	NOTE	QTY	QTY	QTY	QTY
1	0413	UBV4 Connector Body (SM)		2		2	
2	0413	UBV4 Connector Body (MM)			2		2
3	0359	UBV4 Clip		1	1	1	1
4	0795	LC UBV4 PUSH-PULL Tab		1	1	1	1
5	0840	Crimp Sleeve Sub-Ass'y for Uniboot 2.0mm		1	1		
6	0110	Crimp Sleeve Sub-Ass'y for Uniboot 3.0mm				1	1
7	0356	UBV4 Uniboot		1	1	1	1



- Note:
- ①. Mode & core
  - ②. Cable specifications
  - ③. Body color
  - ④. Ferrule type and ID
  - ⑤. Concentricity
  - ⑥. Boot color
  - ⑦. Dust cap option
  - ⑧. Shrink Tube option
  - ⑨. Serial number

Part Name	LC UBV4 PUSH-PULL Connector Pre-Ass'y		Ver.	V1.0
Drawing Code	STCC-0792		Scale	Free
Part No.	LC X HPP XX XX XXX XX XX X XX XX ① ② ③ ④ ⑤ ⑥ ⑦ ⑧ ⑨		Unit	mm
Issued Date	Approved by	Reviewed by		Prepared by
2017.07.03	Rain.Chen	Motofuji	Liuxiaohui	Zenghuimei
△	2017.07.03	New Drawing	Zenghuimei	
No.	Revised Date	Reason	PIC	

**SUNCALL TECHNOLOGIES(SZ)CO., LTD.**
