

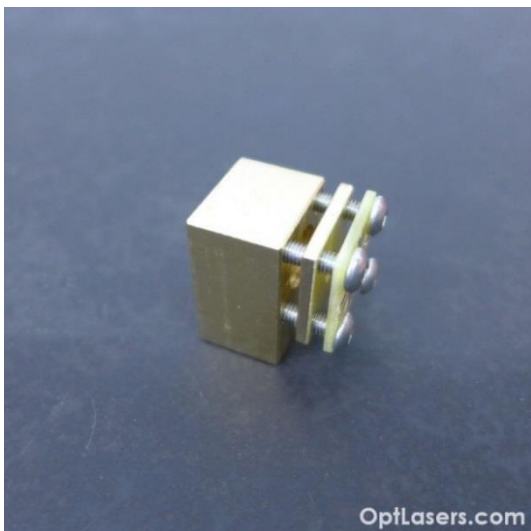
OptLasers

TO-5 housing mount



Product Description

TO-5 (9mm) laser diode housing made of brass with a 10mm deep M9x0,5 hole for collimating lens. "Cross" shape of the PCB allows you to solder the diode pins in order to prevent them from bending after soldering the wires. It also helps to solder the diode quickly without thermal shrinking of the tube. Engraved cross at the back of the housing makes it easier to insert the diode in a proper position (horizontal or vertical) with high accuracy.



Technical Data

Diode housing	TO-5 (9mm)
Bea height from the base	15mm
Lens thread	M9x0,5
Material	Brass housing, brass plate, laminated plate FR4
Dimensions	23x16x16,5 (mm ³)
Included	Brass housing, brass back plate, back PCB, 4xM3 screws



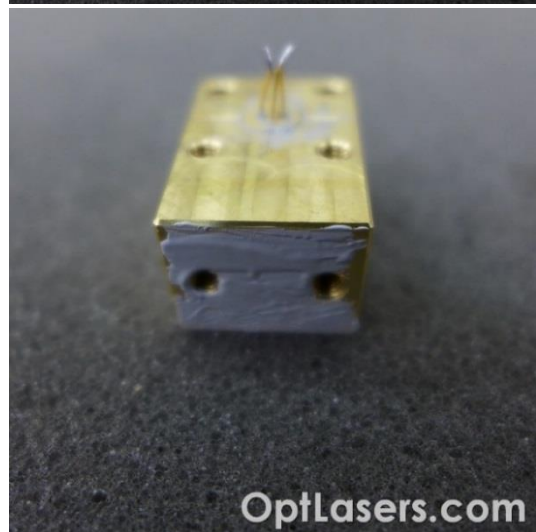
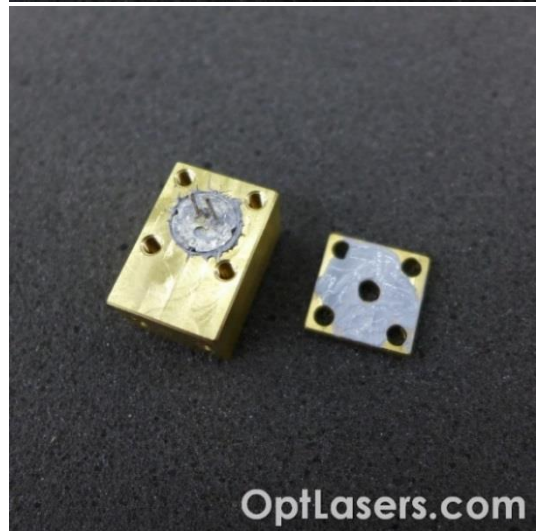
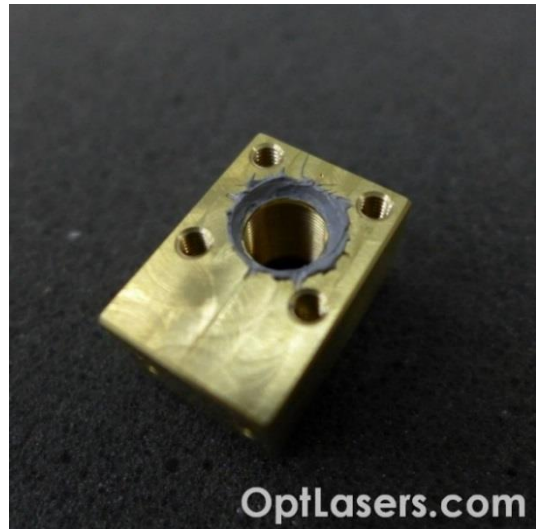
OptLasers

Recommendations and requirements

To ensure proper heat dissipation, thermal grease must be used. It is recommended to use it in all places responsible for heat transfer.

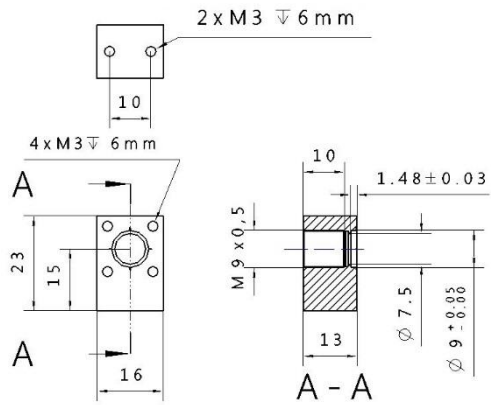
- a) Between $\text{Ø}9$ shelf and TO-5 diode facet.
Be careful not to put grease on the emitter of the laser diode.
- b) On the whole surface of the back brass plate.
- c) Between the housing bottom and the baseplate on which the housing will be mounted.

While driving the M3 screws put the same tension on each of the screws. Back brass plate must be parallel to the diode housing body.

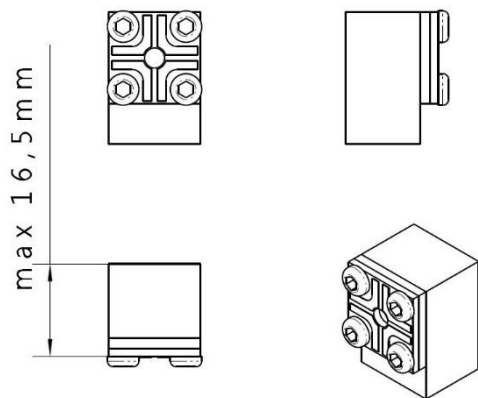


OptLasers

Technical drawings



OptLasers.com



OptLasers.com